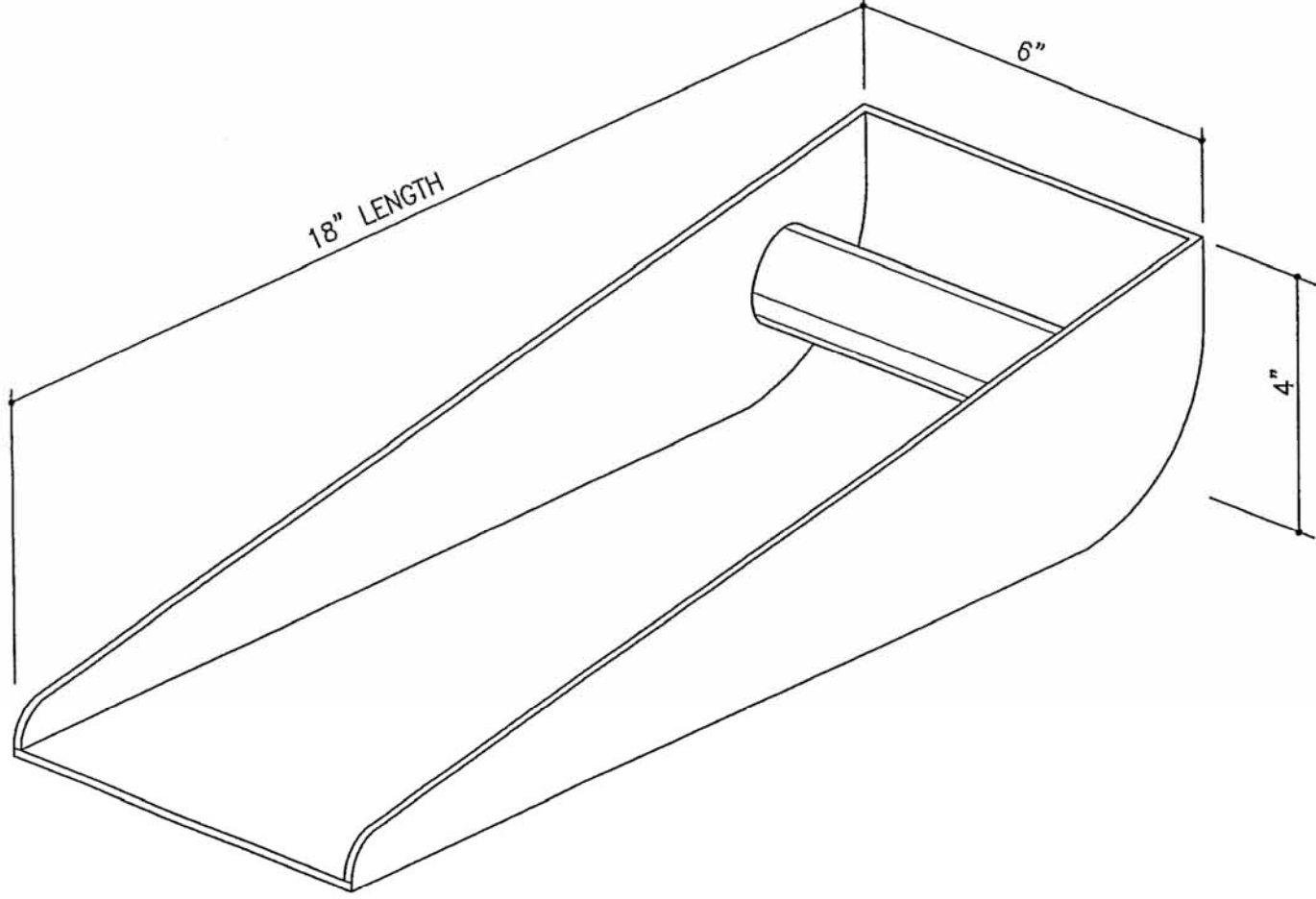


Tel: 1-888-246-9348 503-285-9553
Fax: 1-877-246-9526 503-285-9529
Email: sales@ChaparralFixtures.com
www.ChaparralFixtures.com

Figure 7a Modular Phlebotomy Workstations
Phlebotomy Station Arm Stabilizer, 12"



© Chaparral, Inc. All Rights Reserved



Tel: 1-888-246-9348 503-285-9553
Fax: 1-877-246-9526 503-285-9529
Email: sales@ChaparralFixtures.com
www.ChaparralFixtures.com

Figure 7b Modular Phlebotomy Workstations
Phlebotomy Station Arm Stabilizer, 18"

© Chaparral, Inc. All Rights Reserved