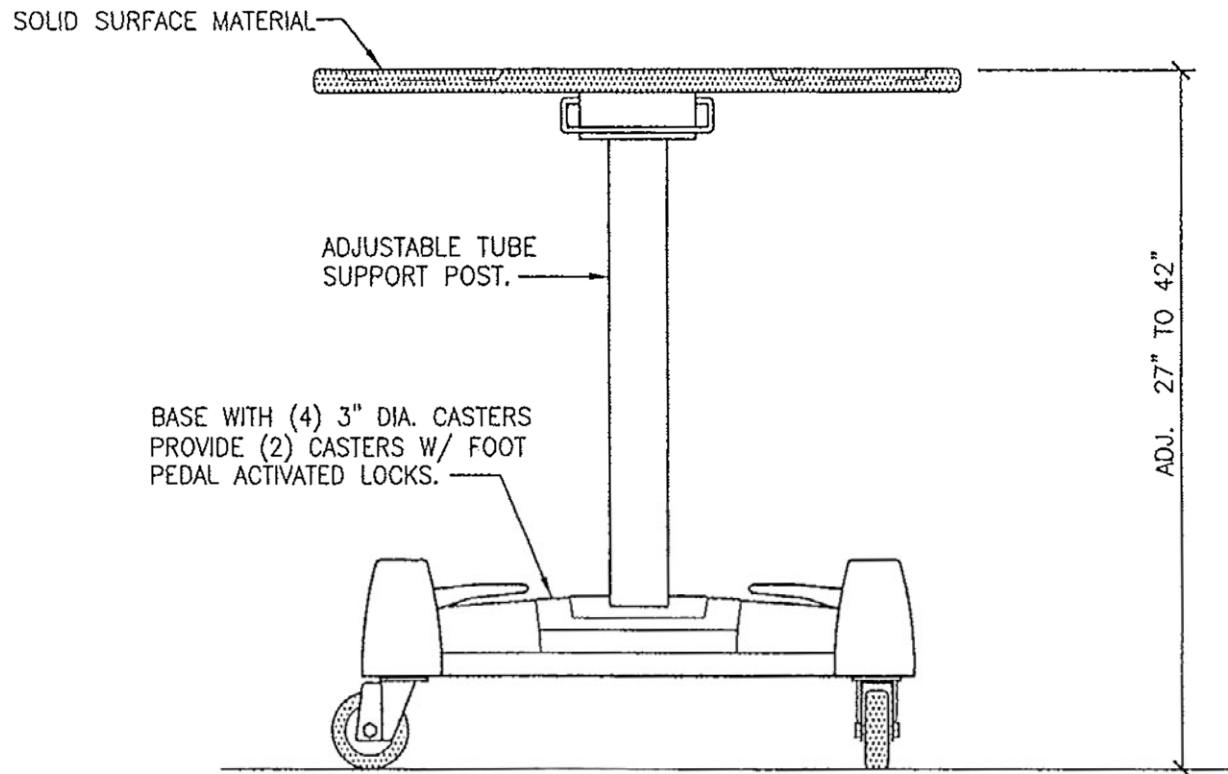


### Plan / Draw Table

SCALE : 1 1/2" = 1'-0"



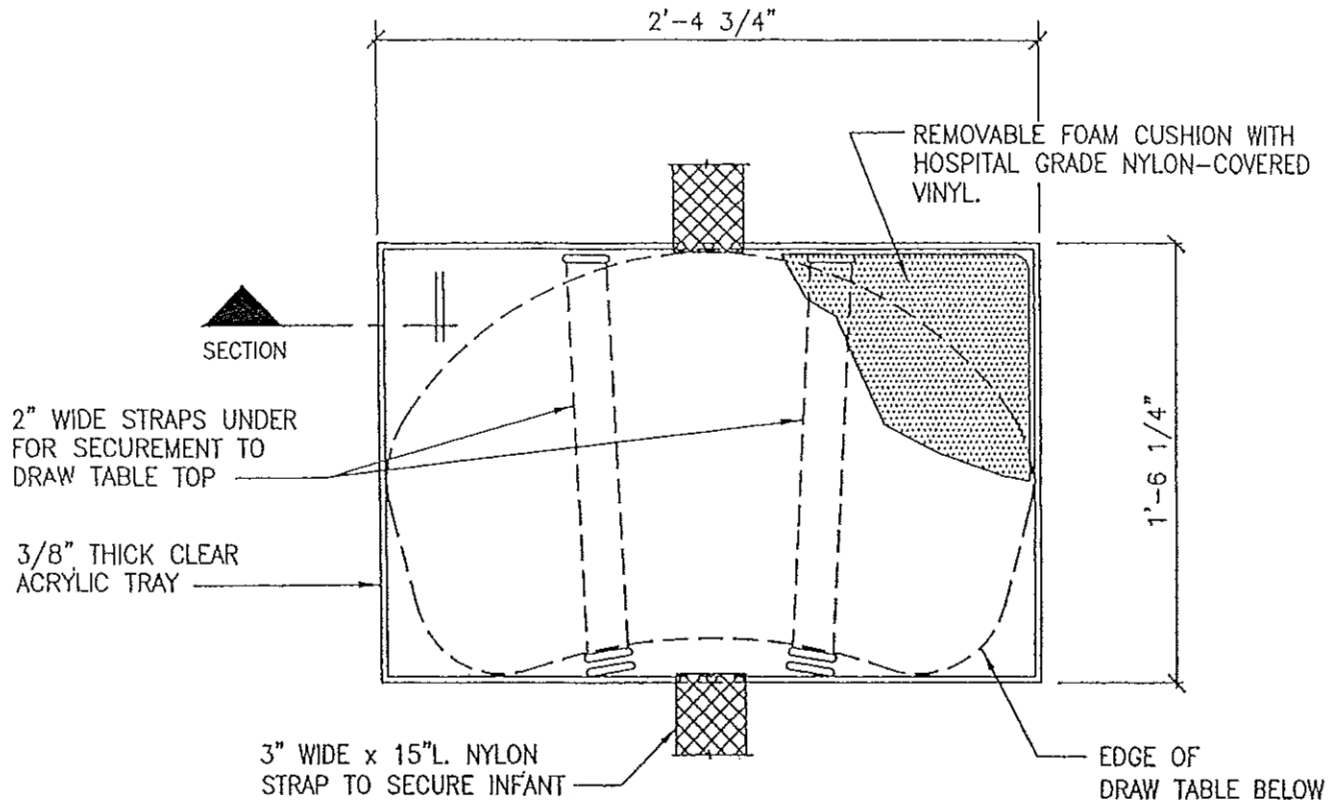
### Elevation

SCALE : 1 1/2" = 1'-0"



Tel: 1-888-246-9348 503-285-9553  
 Fax: 1-877-246-9526 503-285-9529  
 Email: sales@ChaparralFixtures.com  
 www.ChaparralFixtures.com

**Figure 8a Modular Phlebotomy Workstations**  
 Adjustable Draw Stand and Infant Tray: Draw Stand Detail



## Plan / Infant Tray

SCALE : 1 1/2" = 1'-0"

