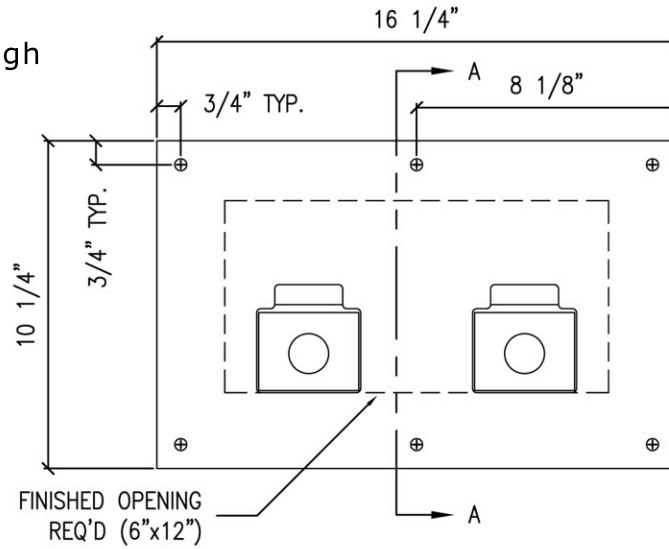


# Model 11.5 Urinalysis Privacy Pass-Through

## INSTALLATION INSTRUCTIONS

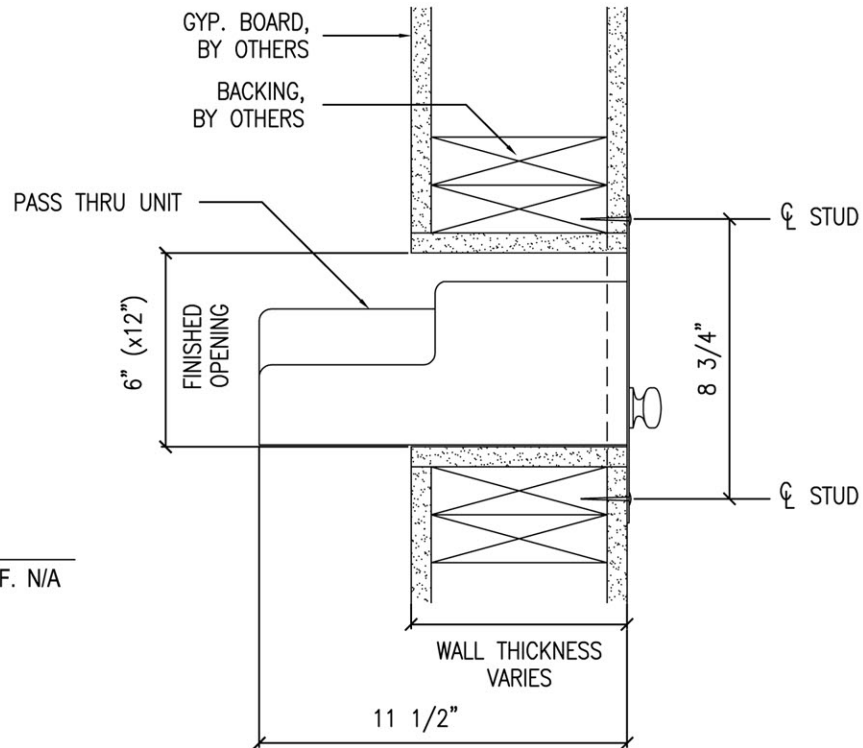
- 1.) VERIFY WALL BACKING IS PROPERLY PLACED.
- 2.) SLIDE UNIT INTO OPENING
- 3.) SECURE UNIT WITH 6 STAINLESS STL. FASTENERS FASTENERS INCLUDED (2" - #10 TRUSSHEAD)



## ELEVATION - FRONT VIEW PASS THRU INSTALLATION

SCALE: N.T.S.

REF. N/A



## SECTION A-A

SCALE: N.T.S.

REF. N/A