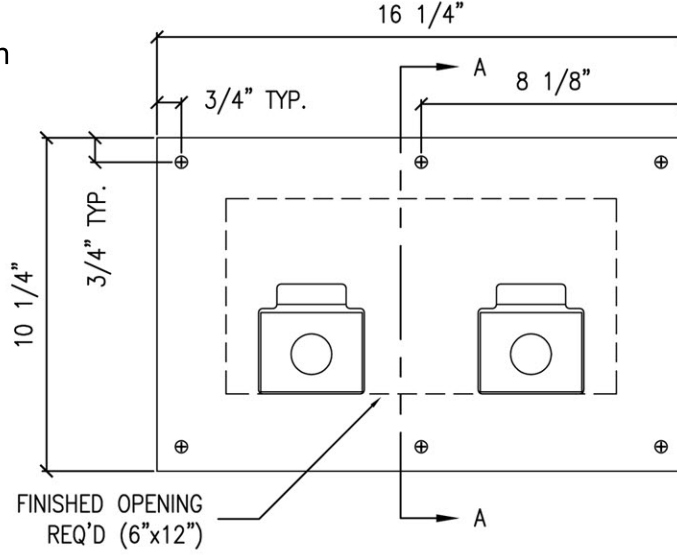


Model 15.5 Urinalysis Privacy Pass-Through

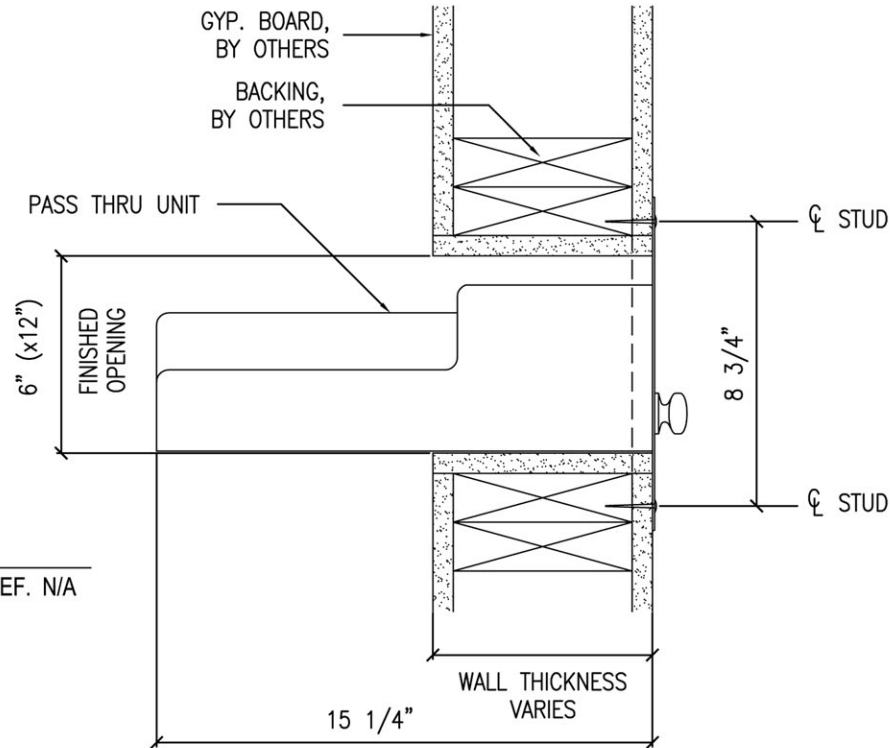
INSTALLATION INSTRUCTIONS

- 1.) VERIFY WALL BACKING IS PROPERLY PLACED.
- 2.) SLIDE UNIT INTO OPENING
- 3.) SECURE UNIT WITH 6 STAINLESS STL. FASTENERS
FASTENERS INCLUDED (2" - #10 TRUSSHEAD)



ELEVATION - FRONT VIEW PASS THRU INSTALLATION

SCALE: N.T.S. REF. N/A



SECTION A-A

SCALE: N.T.S. REF. N/A

Tel: 1-888-246-9348
 Fax: 1-877-246-9526
 Email: sales@ChaparralFixtures.com
 www.ChaparralFixtures.com

Model 15.5 Urinalysis Privacy Pass-Through
 Installation Guide, Page 1



© Chaparral, Inc. All Rights Reserved