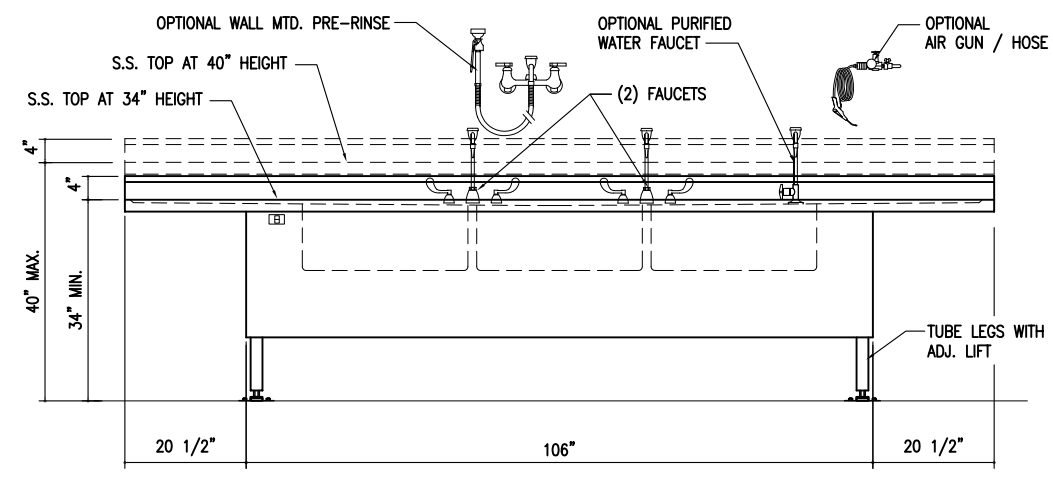
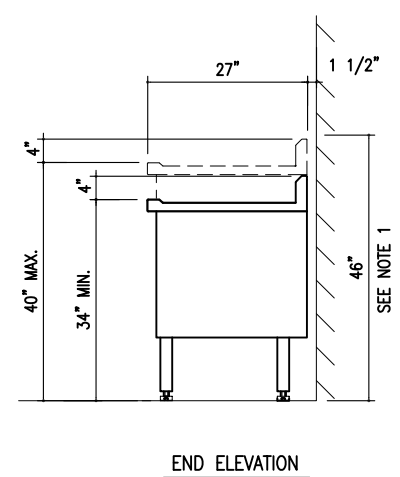


PLAN VIEW / AHS-3B (3) COMP. SINK

LEFT TO RIGHT WORKFLOW



ELEVATION / AHS-3B (3) COMP. SINK



END ELEVATION

NOTE:

1. TO ALLOW SUFFICIENT ROOM FOR SINK HEIGHT ADJUSTABILITY, NOTHING MAY BE MOUNTED ON THE WALL IN THE LOCATION OF THE SINK BETWEEN THE HEIGHTS OF 12" AND 46" ABOVE FINISHED FLOOR.
2. SINK REQUIRES 12" x 12" FLOOR SINK, WHICH IS BY OTHERS.
3. SINK REQUIRES 120V POWER SUPPLY AND GFI AS REQUIRED, WHICH ARE BY OTHERS.

Mains Supply: 120V ~, 60Hz, 6A

This drawing is the property of Chaparral 1 Inc. and is loaned subject to the condition that it is not to be copied, reproduced or distributed either whole or in part and is not to be used directly or indirectly excepting under the supervision of Chaparral 1 Inc.. Nor may it be used in any way that is detrimental to the interests of Chaparral 1 Inc.

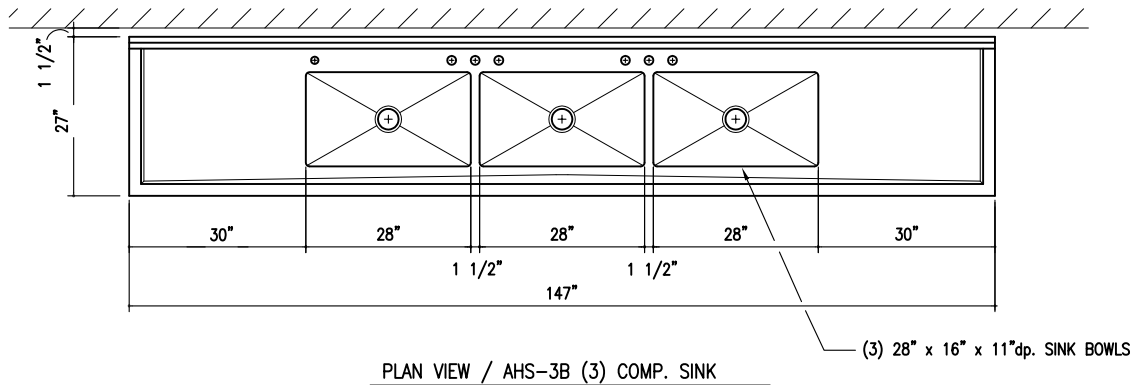
OSHPD Anchorage Pre-Approved: OPA - 2399 - 07

Approximate Sink weight: 350 lbs
Approximate Crated weight: 880 lbs

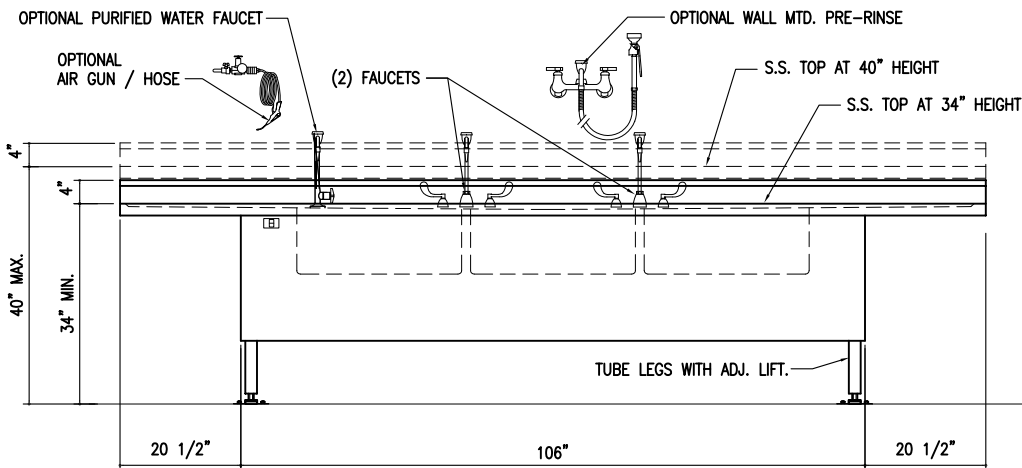
P.O. Box 11368
Portland, OR. 97211 - 0368
Ph: (503) 285-9553
Toll Free Ph: (888) 246-9348
Fax: (503) 285-9526
Toll Free Fax: (877) 246-9526
www.chaparralfixtures.com

AHS - 3B
(3) BOWL ADJ. HEIGHT SINK
LEFT TO RIGHT WORKFLOW

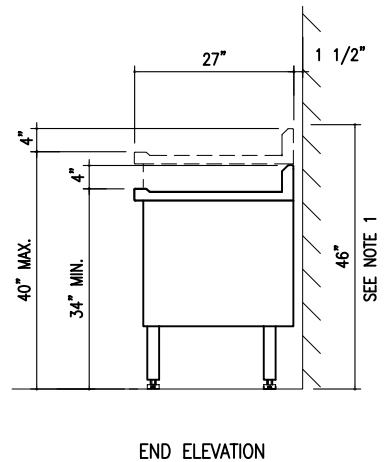
Date:
5-2-11
Sheet
1



PLAN VIEW / AHS-3B (3) COMP. SINK



ELEVATION / AHS-3B (3) COMP. SINK



END ELEVATION

NOTE :

1. TO ALLOW SUFFICIENT ROOM FOR SINK HEIGHT ADJUSTABILITY, NOTHING MAY BE MOUNTED ON THE WALL IN THE LOCATION OF THE SINK BETWEEN THE HEIGHTS OF 12" AND 46" ABOVE FINISHED FLOOR.
2. SINK REQUIRES 12"x12" FLOOR SINK, WHICH IS BY OTHERS.
3. SINK REQUIRES 120V POWER SUPPLY AND GFI AS REQUIRED, WHICH ARE BY OTHERS.

Mains Supply: 120V ~, 60Hz, 6A



This drawing is the property of Chaparral 1 Inc. and is loaned subject to the condition that it is not to be copied, reproduced or distributed either whole or in part and is not to be used directly or indirectly excepting under the supervision of Chaparral 1 Inc.. Nor may it be used in any way that is detrimental to the interests of Chaparral 1 Inc.

OSHPD Anchorage Pre-Approved: OPA - 2399 - 07

Approximate Sink weight: 350 lbs
Approximate Crated weight: 880 lbs



P.O. Box 11368
Portland, OR. 97211 - 0368
Ph: (503) 285-9553
Toll Free Ph: (888) 246-9348
Fax: (503) 285-9526
Toll Free Fax: (877) 246-9526
www.chaparralfixtures.com

AHS - 3B
(3) BOWL ADJ. HEIGHT SINK
RIGHT TO LEFT WORKFLOW

Date:
5-2-11

Sheet
1