

# Decontamination Sink Solutions

for Medical and Sterile Processing

Ergonomic • Height Adjustable • Customizable

Featuring best-in-class height adjustment



**CHAPARRAL**<sup>®</sup>

Ergonomic Medical Equipment

Chaparral's Decontamination Sinks are designed for the specific space and technical needs of each Sterile Processing Department. With an emphasis on ergonomic design, industry-leading height-adjustable options, and customizable bays, Chaparral reprocessing sinks and scope flushing sinks contribute to enhanced workflow and increased compliance.

### ERGONOMIC

Designed to help reduce the neck, back and shoulder strain caused by improper sink heights, Chaparral's adjustable height reprocessing sinks offer a 10-inch vertical adjustment range, the greatest available on the market today. Our sinks accommodate a greater range of user heights by adjusting from 42 inches down to 32 inches.

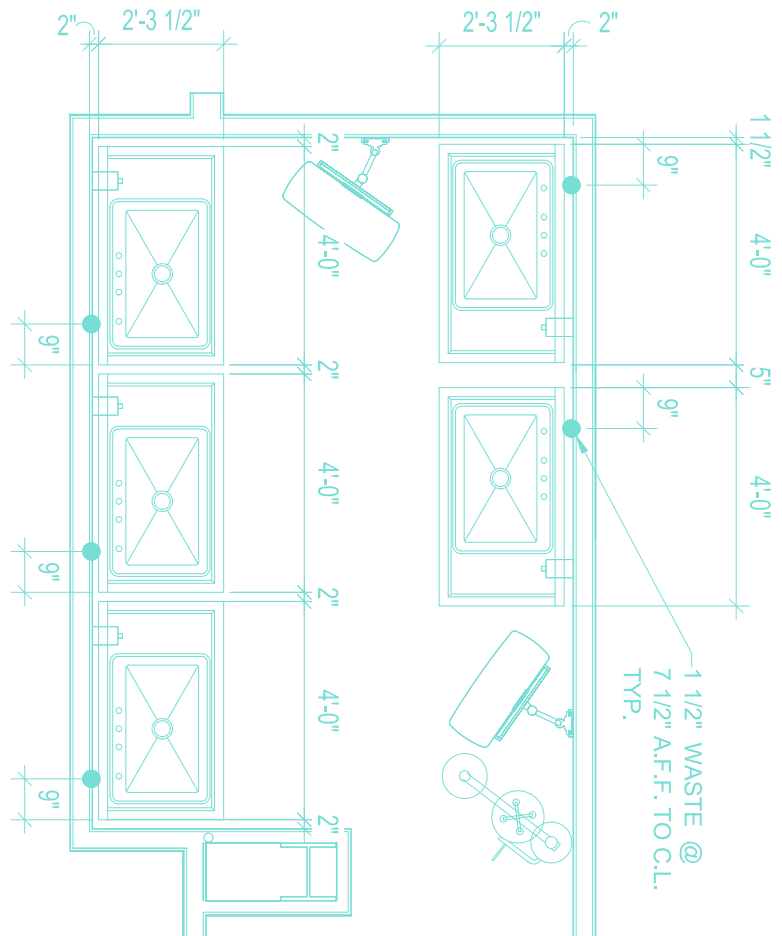


### CUSTOM BUILT

Each sink is customizable and built to order, made in Portland, Oregon, USA by union sheet metal craftspeople using long-lasting, medical grade stainless steel and high-quality components.

### DESIGN PLANNING

Our team of experts works daily with customers to provide free design planning assistance to ensure there are no issues during and after installation. Our services include dropping Chaparral equipment blocks into your CAD drawings, ensuring clearances, checking for conflicts and providing spacing recommendations.



# Height-Adjustable Scope Flushing Sinks

Series: AHS-ES

Adjustable  
from 42 inches  
down to 32 inches



Chaparral's adjustable height endoscopy sinks provide the greatest ergonomic benefits available on the market today to pre-sanitation scope processing. Our proprietary design incorporates the Custom Ultrasonics SAFS-S8 Scope Assist Flushing Sink Bowl, allowing each user to clean scopes at the optimum level for their height. A vertical adjustment range of 10 inches helps promote an efficient and safe processing environment.

## FEATURES

- Best-in-class vertical adjustment of 10 inches (adjusts height from 42 inches to 32 inches) for greater flexibility and ergonomic benefits
- Integrated Custom Ultrasonics SAFS-S8 Scope Assist Flush Sink
  - Provides means of flushing endoscope channels with detergent and water
  - Allows for soaking and manual wiping/brushing of most flexible endoscopes
  - Provides environment for wet leak testing of endoscopes
  - FDA cleared
- Highly durable medical grade stainless steel

## INCLUDED

- Plumbing supplies for indirect waste
- 4.5-inch backsplash
- Drain board
- Marine edge
- Cabinet doors

## ACCESSORIES AND OPTIONS

In-wall/direct waste telescopic plumbing, 2-tier storage rack, end-splashes, upper cabinet, virtual training services conducted by Custom Ultrasonics, on-site training and installation conducted by Custom Ultrasonics.

## STANDARD MODELS

Model #	# of Sink Bowls	Length
AHS-ES-L	1	58"
AHS-ES-R	1	58"
AHS-ES-C	1	64"

# Reprocessing Sinks

Height-Adjustable Decontamination Sink

Series: AHS

Adjustable  
from 42 inches  
down to 32 inches



Adjust the countertop height of our medical-grade stainless steel sinks down to a best-in-class 32 inches at the touch of a button. We have completely re-engineered these sinks to better accommodate multiple users of varied heights and enable safe, thorough cleaning of medical instruments prior to final sterilization. With direct (in-wall) and indirect (floor sink) waste plumbing solutions that meet most local codes included, our reprocessing sinks are designed to reduce installation risk and scheduling delays.

## FEATURES

- Best-in-class vertical adjustment of 10 inches (adjusts height from 42 inches to 32 inches) for greater flexibility and ergonomic benefits
- Verified plumbing solutions
- Available in multiple standard sink and length configurations

## INCLUDED

- 12-inch gooseneck faucet(s) with vacuum breaker(s)
- 4-inch backsplash
- Workflow customization (L>R, R>L)
- Drain board
- Marine edge
- Laser-etched gallon markings
- Plumbing supplies for indirect waste
  - Supply hose(s)
  - Water shut off valve(s)
  - Lever twist drain(s)
  - Drain manifold system
- Partial skirt

## ACCESSORIES AND OPTIONS

In-wall/direct waste telescopic plumbing, pre-rinse faucet, purified water faucet, water gun and tip attachments, air blowgun, end-splashes, sink covers, upper storage cabinet, full skirt, skirt doors

## Adjustable Height Sinks

### STANDARD MODELS

Model #	# of Sink Bowls	Length
AHS-3B-147	3	147"
AHS-3B-120	3	120"
AHS-3B-106	3	106"
AHS-2B-120	2	120"
AHS-2B-106	2	106"
AHS-2B-97	2	97"
AHS-1B-72	1	72"

## Also available: Fixed Height Sinks

### STANDARD MODELS

Model #	# of Sinks Bowls	Length
FHS-3B-147	3	147"
FHS-3B-120	3	120"
FHS-3B-106	3	106"
FHS-2B-120	2	120"
FHS-2B-106	2	106"
FHS-2B-96	2	97"
FHS-1B-72	1	72"