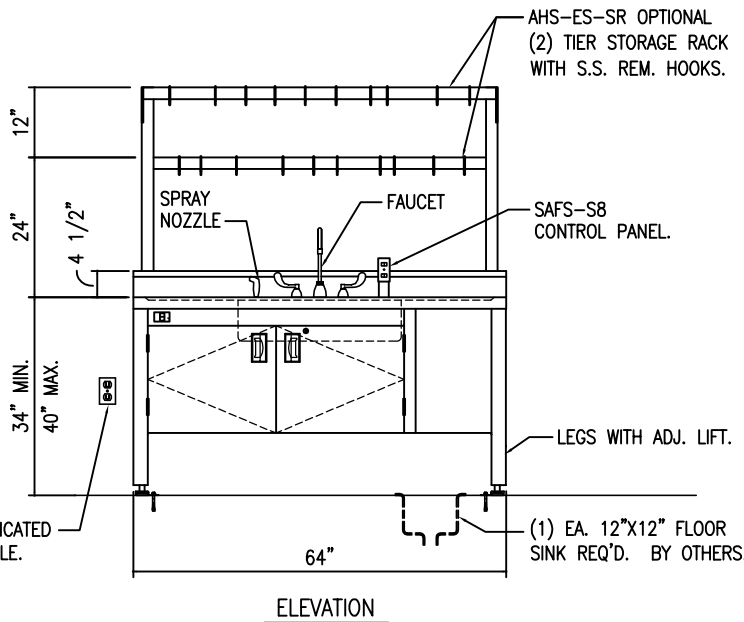
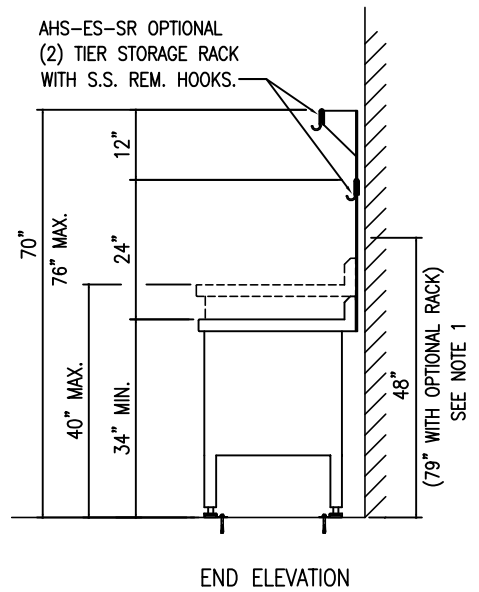


This drawing is the property of Chaparral 1 Inc. and is loaned subject to the condition that it is not to be copied, reproduced or distributed either whole or in part and is not to be used directly or indirectly excepting under the supervision of Chaparral 1 Inc.. Nor may it be used in any way that is detrimental to the interests of Chaparral 1 Inc.



(1) EA. 120V DEDICATED DUPLEX RECEPTACLE. BY OTHERS.

(1) EA. 12"x12" FLOOR SINK REQ'D. BY OTHERS.



NOTE:

1. TO ALLOW SUFFICIENT ROOM FOR SINK HEIGHT ADJUSTABILITY, NOTHING MAY BE MOUNTED ON THE WALL IN THE LOCATION OF THE SINK BETWEEN THE HEIGHTS OF 12" AND 48" ABOVE FINISHED FLOOR (79" WITH OPTIONAL RACK).
2. PROVIDE 1 1/2" CLEARANCE AT ALL SIDES TO AVOID PINCH HAZARD.
3. SINK REQUIRES 12"x12" FLOOR SINK, WHICH IS BY OTHERS.
4. SINK REQUIRES 120V DEDICATED POWER SUPPLY AND GFI AS REQUIRED WHICH ARE BY OTHERS.

Mains Supply: 120V ~, 60Hz, 6A



Approximate Sink weight: 350 Lbs.
 Approximate Crated weight: 610 Lbs.



P.O. Box 11368
 Portland, OR. 97211 - 0368
 Toll Free Ph: (888) 246-9348
 www.chaparralfixtures.com

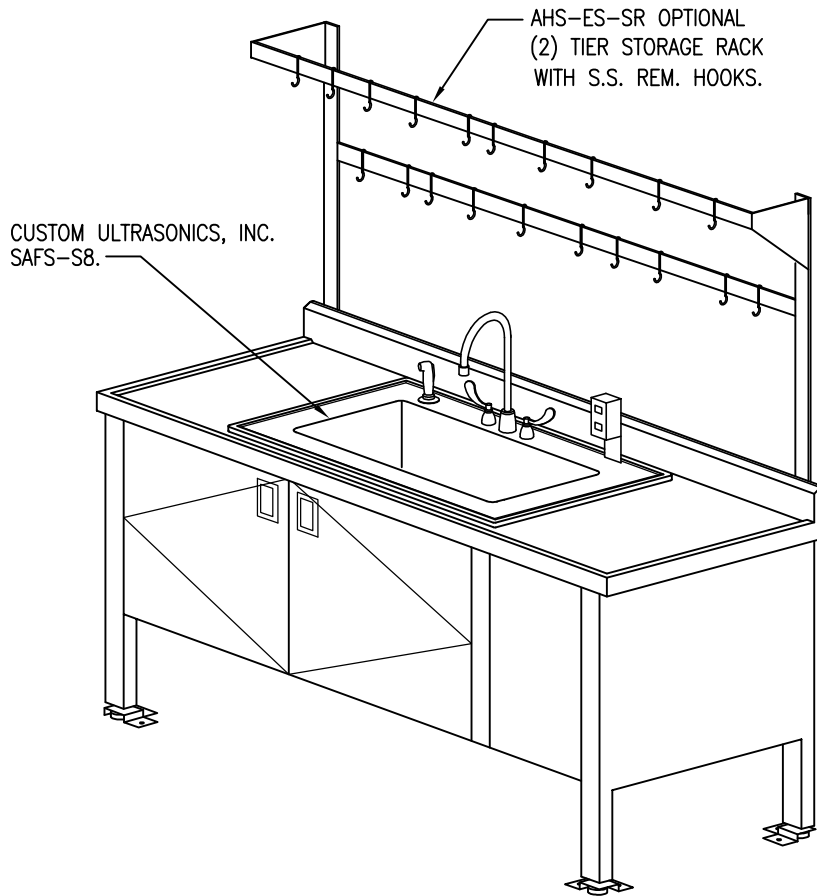
AHS - ES - C
 ADJ. HEIGHT SCOPE
 ASSIST FLUSH SINK
 SAFS - S8 CENTERED

Date: 5-01-18

Rev.

Rev.

Sht: 1



This drawing is the property of Chaparral 1 Inc. and is loaned subject to the condition that it is not to be copied, reproduced or distributed either whole or in part and is not to be used directly or indirectly excepting under the supervision of Chaparral 1 Inc.. Nor may it be used in any way that is detrimental to the interests of Chaparral 1 Inc.



P.O. Box 11368 Portland, OR.
97211 - 0368
Ph: (503) 285-9553
Toll Free Ph: (888) 246-9348
www.chaparralfixtures.com

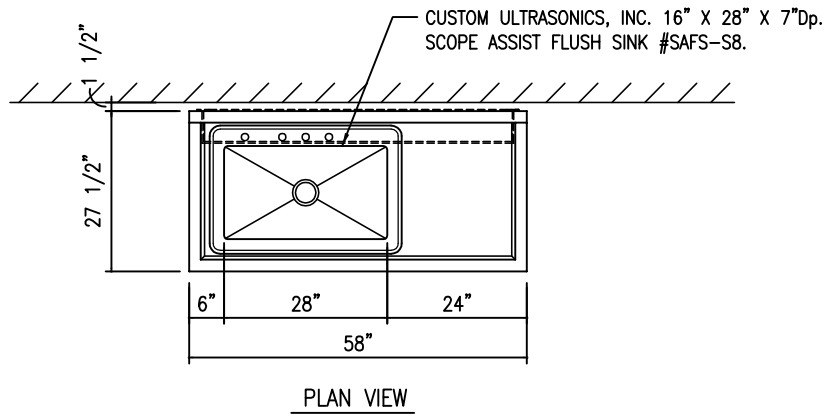
AHS - ES - C
ADJ. HEIGHT SCOPE
ASSIST FLUSH SINK
SAFS - S8 CENTERED

Date: 5-01-18

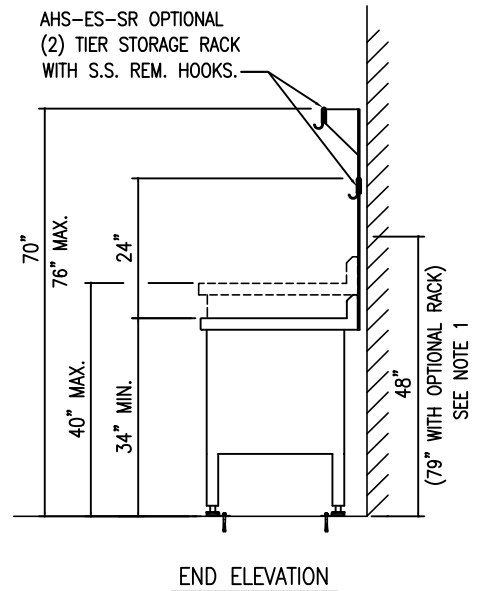
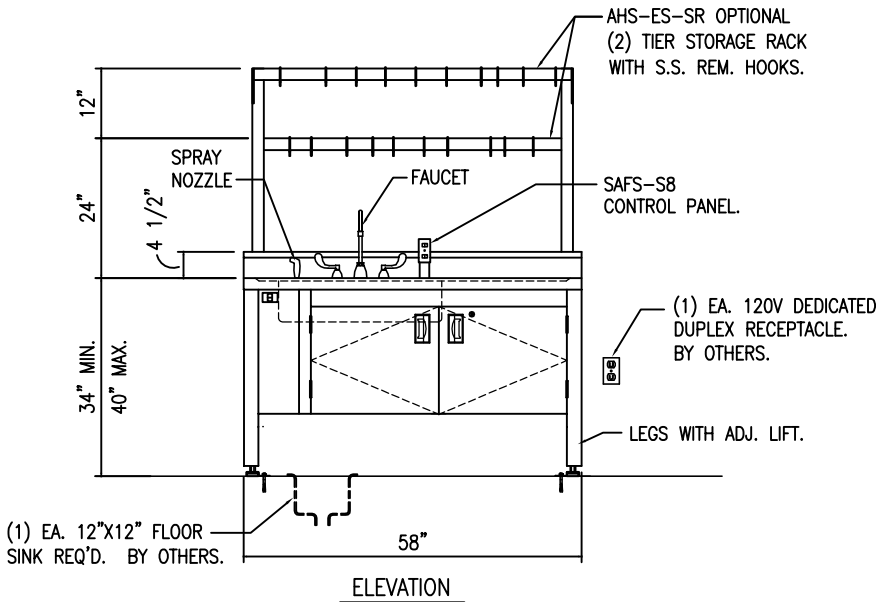
Rev.

Rev.

Sht: 2



This drawing is the property of Chaparral 1 Inc. and is loaned subject to the condition that it is not to be copied, reproduced or distributed either whole or in part and is not to be used directly or indirectly excepting under the supervision of Chaparral 1 Inc. Nor may it be used in any way that is detrimental to the interests of Chaparral 1 Inc.



NOTE:

1. TO ALLOW SUFFICIENT ROOM FOR SINK HEIGHT ADJUSTABILITY, NOTHING MAY BE MOUNTED ON THE WALL IN THE LOCATION OF THE SINK BETWEEN THE HEIGHTS OF 12" AND 48" ABOVE FINISHED FLOOR (79" WITH OPTIONAL RACK).
2. PROVIDE 1 1/2" CLEARANCE AT ALL SIDES TO AVOID PINCH HAZARD.
3. SINK REQUIRES 12"x12" FLOOR SINK, WHICH IS BY OTHERS.
4. SINK REQUIRES 120V DEDICATED POWER SUPPLY AND GFI AS REQUIRED WHICH ARE BY OTHERS.

Mains Supply: 120V ~, 60Hz, 6A



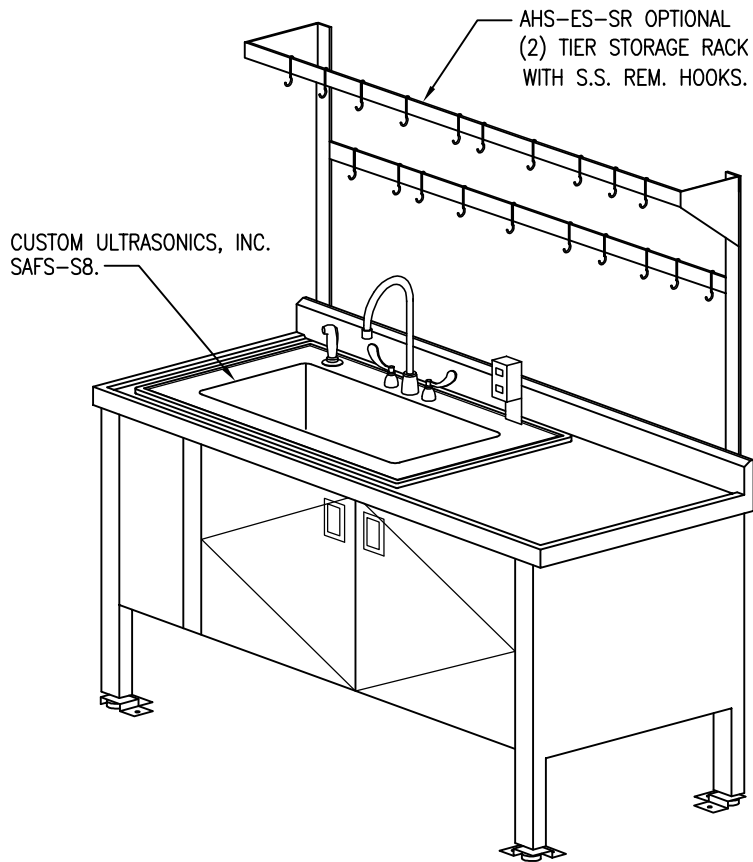
Approximate Sink weight: 330 Lbs.
Approximate Crated weight: 570 Lbs.



P.O. Box 11368
Portland, OR. 97211-0368
Toll Free Ph: (888) 246-9348
www.chaparralfixtures.com

AHS - ES - L
ADJ. HEIGHT SCOPE
ASSIST FLUSH SINK
SAFS - S8 LEFT

Date: 5-01-18
Rev.
Rev.
Sht: 1



This drawing is the property of Chaparral 1 Inc. and is loaned subject to the condition that it is not to be copied, reproduced or distributed either whole or in part and is not to be used directly or indirectly excepting under the supervision of Chaparral 1 Inc. Nor may it be used in any way that is detrimental to the interests of Chaparral 1 Inc.



P.O. Box 11368
Portland, OR. 97211 - 0368
Toll Free Ph: (888) 246-9348
www.chaparralfixtures.com

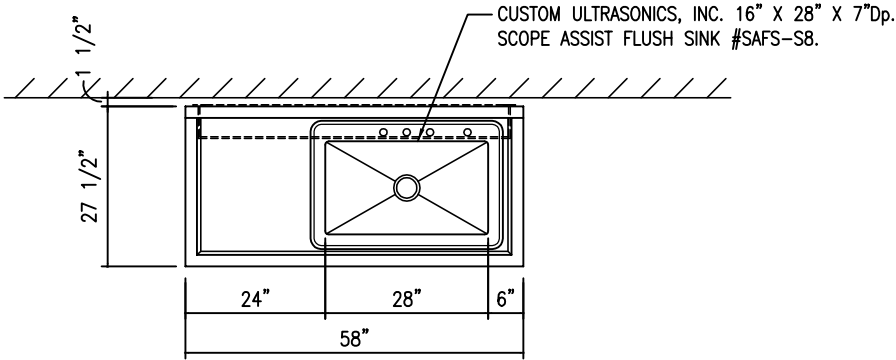
AHS - ES - L
ADJ. HEIGHT SCOPE
ASSIST FLUSH SINK
SAFS - S8 LEFT

Date: 5-01-18

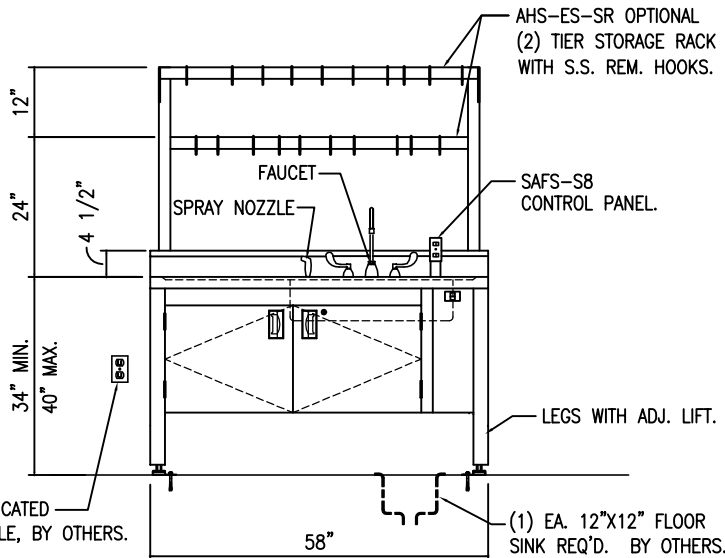
Rev.

Rev.

Sht: 2

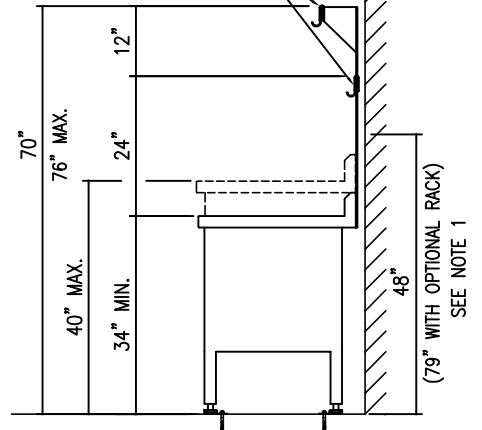


PLAN VIEW



ELEVATION

AHS-ES-SR OPTIONAL
(2) TIER STORAGE RACK
WITH S.S. REM. HOOKS.



END ELEVATION

(1) EA. 120V DEDICATED
DUPLEX RECEPTACLE, BY OTHERS.

(1) EA. 12"x12" FLOOR
SINK REQ'D. BY OTHERS.

NOTE:

1. TO ALLOW SUFFICIENT ROOM FOR SINK HEIGHT ADJUSTABILITY, NOTHING MAY BE MOUNTED ON THE WALL IN THE LOCATION OF THE SINK BETWEEN THE HEIGHTS OF 12" AND 48" ABOVE FINISHED FLOOR (79" WITH OPTIONAL RACK).
2. PROVIDE 1 1/2" CLEARANCE AT ALL SIDES TO AVOID PINCH HAZARD.
3. SINK REQUIRES 12"x12" FLOOR SINK, WHICH IS BY OTHERS.
4. SINK REQUIRES 120V DEDICATED POWER SUPPLY AND GFI AS REQUIRED WHICH ARE BY OTHERS.

Mains Supply: 120V ~, 60Hz, 6A



Approximate Sink weight: 330 Lbs.
Approximate Crated weight: 570 Lbs.

This drawing is the property of Chaparral 1 Inc. and is loaned subject to the condition that it is not to be copied, reproduced or distributed either whole or in part and is not to be used directly or indirectly excepting under the supervision of Chaparral 1 Inc. Nor may it be used in any way that is detrimental to the interests of Chaparral 1 Inc.



P.O. Box 11368
Portland, OR. 97211 - 0368
Toll Free Ph: (888) 246-9348
www.chaparralfixtures.com

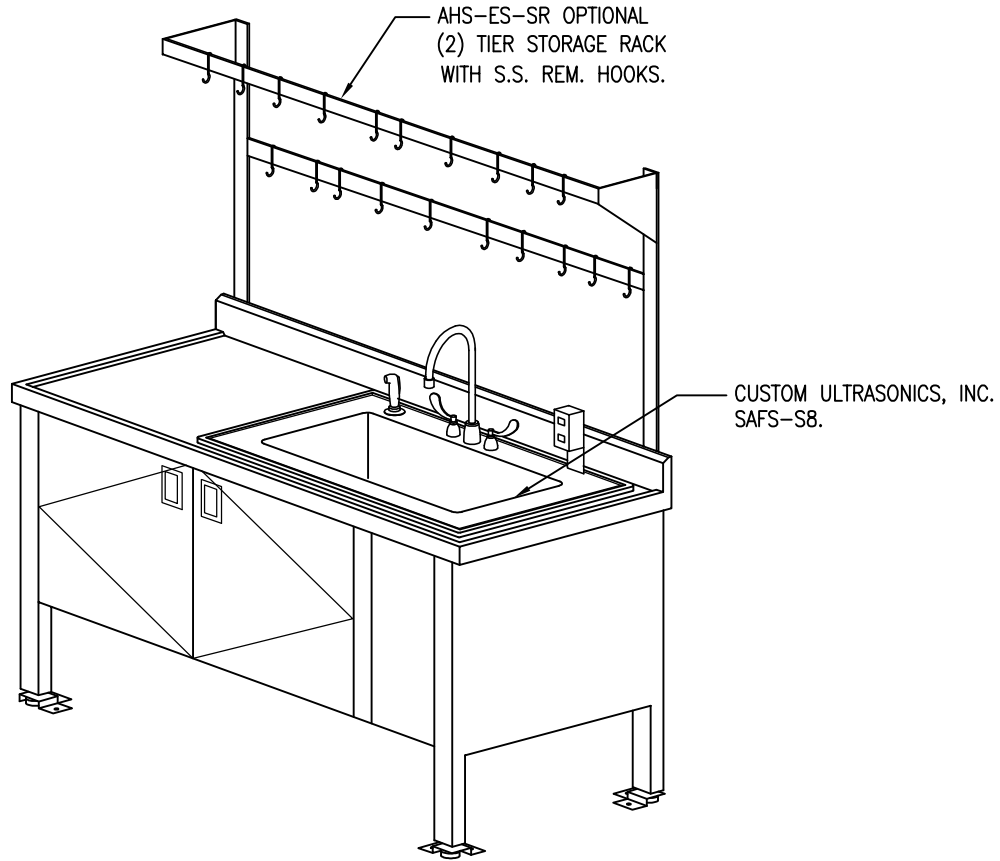
AHS - ES - R
ADJ. HEIGHT SCOPE
ASSIST FLUSH SINK
SAFS - S8 RIGHT

Date: 5-01-18

Rev.

Rev.

Sht: 1



This drawing is the property of Chaparral 1 Inc. and is loaned subject to the condition that it is not to be copied, reproduced or distributed either whole or in part and is not to be used directly or indirectly excepting under the supervision of Chaparral 1 Inc. Nor may it be used in any way that is detrimental to the interests of Chaparral 1 Inc.



P.O. Box 11368
Portland, OR. 97211 - 0368
Toll Free Ph: (888) 246-9348
www.chaparralfixtures.com

AHS - ES - R
ADJ. HEIGHT SCOPE
ASSIST FLUSH SINK
SAFS - S8 RIGHT

Date: 5-01-18

Rev.

Rev.

Sht: 2