

**MODEL MMIV - CS
CENTRAL PHELEBOTOMY STATION**

- APPROXIMATE WEIGHT : 200 lbs. (390 lbs. CRATED).
- SEISMICALLY ENGINEERED MOUNTS TO FLOOR VIA 9 CONCRETE ANCHORS (BY INSTALLER).
- INCLUDES:
 - 4 EA. MMIV-1A GLOVE HOLDERS (INSERTS)
 - 4 EA. MMIV-1D TUBE HOLDERS (INSERTS)
 - 4 EA. MMIV-1H LOOSE TUBE HOLDERS (INSERTS)
 - 2 EA. UN-PS PLASTIC SLOTS
 - 2 EA. UN-TW TUBE & WIPE HOLDERS
 - 2 EA. TRASH CANS
 - 2 EA. LARGE SHARPS DISPOSALS

This drawing is the property of Chapparal 1 Inc. and is loaned subject to the condition that it is not to be copied, reproduced or distributed either whole or in part and is not to be used directly or indirectly excepting under the supervision of Chapparal 1 Inc.. Nor may it be used in any way that is detrimental to the interests of Chapparal 1 Inc.

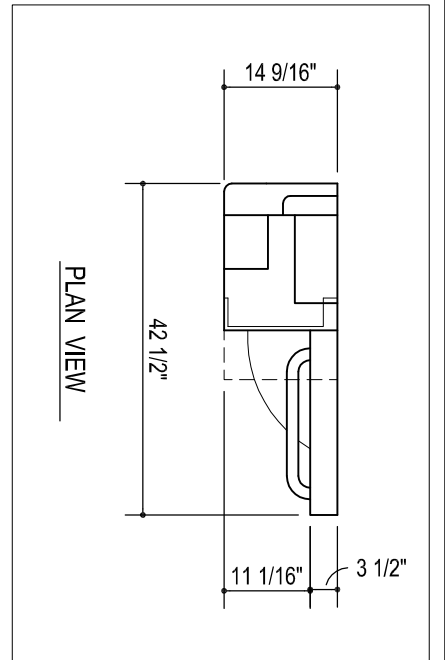
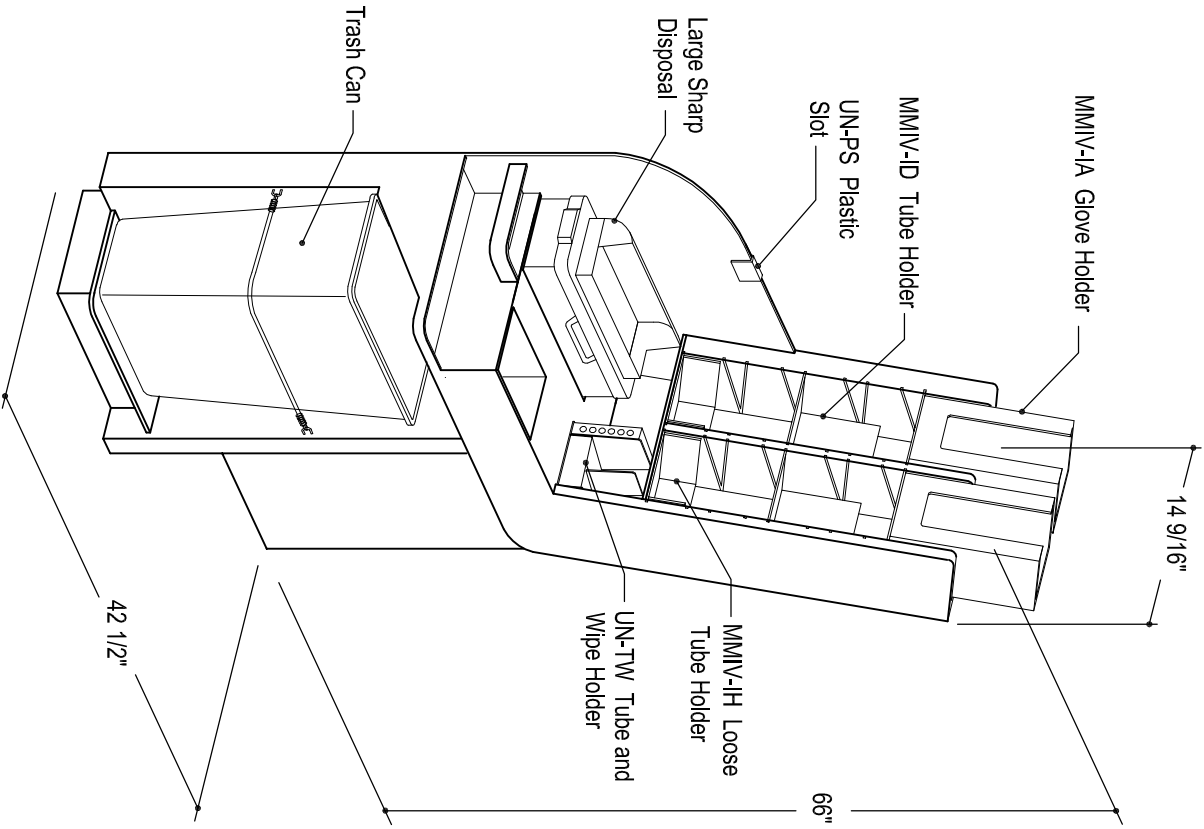


P.O. Box 11368
 Portland, OR. 97211 - 0368
 Ph: (503) 285-9553
 Toll Free Ph: (888) 246-9348
 Fax: (503) 285-9526
 Toll Free Fax: (877) 246-9526
 www.chapparalfixtures.com

Model MMIV - CS
 Phlebotomy Station

Date:
 7 - 6 - 15

Sheet
 1



**MODEL MMIV - LS
LEFT END PHELEBOTOMY STATION**

- APPROXIMATE WEIGHT : 120 lbs. (285 lbs. CRATED).
- SEISMICALLY ENGINEERED MOUNTS TO FLOOR VIA 7 CONCRETE ANCHORS (BY INSTALLER).
- INCLUDES:
 - 2 EA. MMIV-IA GLOVE HOLDERS (INSERTS)
 - 2 EA. MMIV-ID TUBE HOLDERS (INSERTS)
 - 2 EA. MMIV-IH LOOSE TUBE HOLDERS (INSERTS)
 - 1 EA. UN-PS PLASTIC SLOT
 - 1 EA. UN-TW TUBE & WIPE HOLDER
 - 1 EA. TRASH CAN
 - 1 EA. LARGE SHARPS DISPOSAL

This drawing is the property of Chaparral 1 Inc. and is loaned subject to the condition that it is not to be copied, reproduced or distributed either whole or in part and is not to be used directly or indirectly excepting under the supervision of Chaparral 1 Inc.. Nor may it be used in any way that is detrimental to the interests of Chaparral 1 Inc.

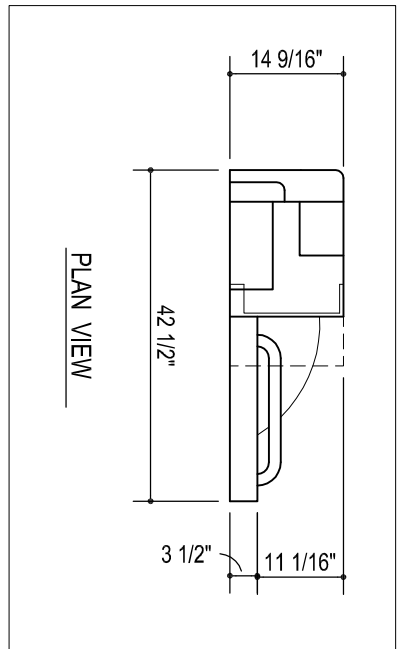
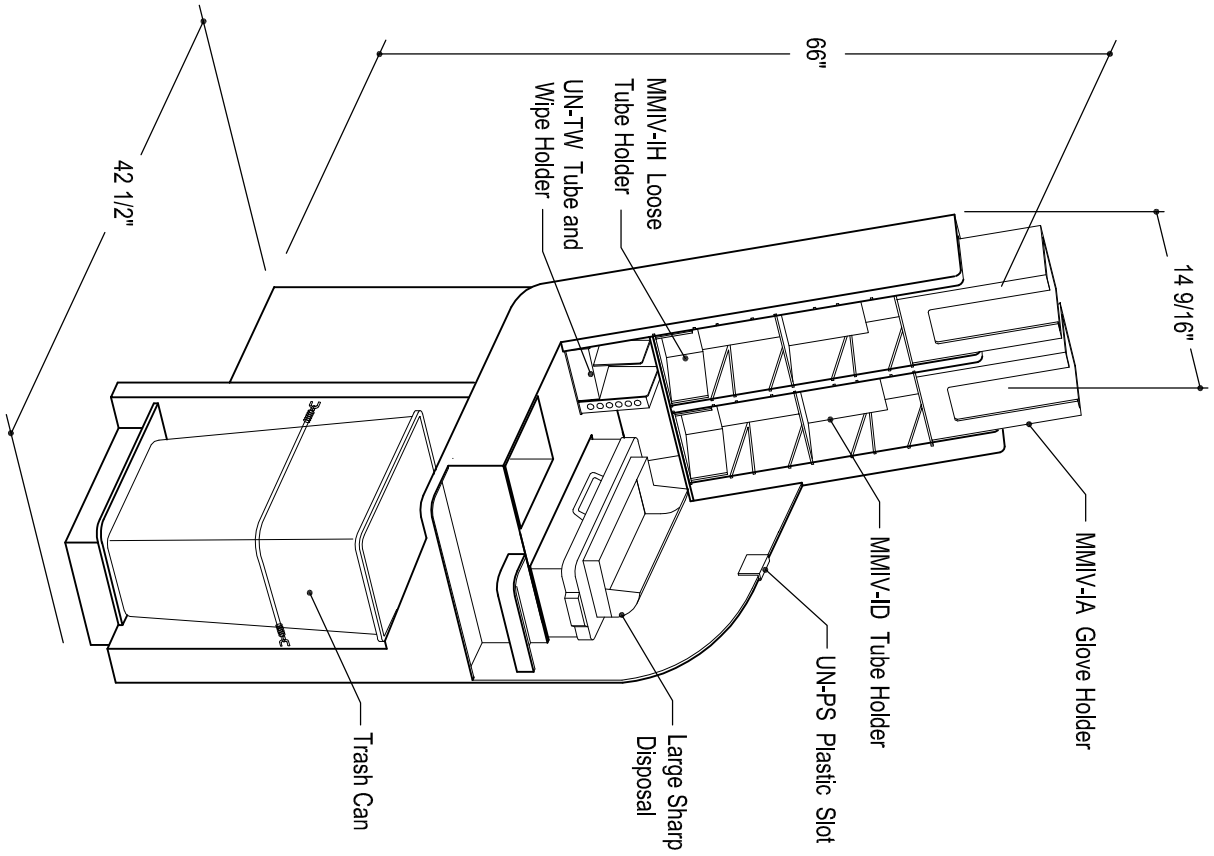


P.O. Box 11368
 Portland, OR. 97211 - 0368
 Ph: (503) 285-9553
 Toll Free Ph: (888) 246-9348
 Fax: (503) 285-9526
 Toll Free Fax: (877) 246-9526
 www.chaparralfixtures.com

Model MMIV - LS
 Phlebotomy Station

Date:
 7 - 6 - 15


Sheet
 1



**MODEL MMIV - RS
RIGHT END PHELEBOTOMY STATION**

- APPROXIMATE WEIGHT : 120 lbs. (285 lbs. CRATED).
- SEISMICALLY ENGINEERED MOUNTS TO FLOOR VIA 7 CONCRETE ANCHORS (BY INSTALLER).
- INCLUDES:
 - 2 EA. MMIV-1A GLOVE HOLDERS (INSERTS)
 - 2 EA. MMIV-1D TUBE HOLDERS (INSERTS)
 - 2 EA. MMIV-1H LOOSE TUBE HOLDERS (INSERTS)
 - 1 EA. UN-PS PLASTIC SLOT
 - 1 EA. UN-LTW TUBE & WIPE HOLDER
 - 1 EA. TRASH CAN
 - 1 EA. LARGE SHARPS DISPOSAL

This drawing is the property of Chaparral 1 Inc. and is loaned subject to the condition that it is not to be copied, reproduced or distributed either whole or in part and is not to be used directly or indirectly excepting under the supervision of Chaparral 1 Inc.. Nor may it be used in any way that is detrimental to the interests of Chaparral 1 Inc.



P.O. Box 11368
 Portland, OR. 97211 - 0368
 Ph: (503) 285-9553
 Toll Free Ph: (888) 246-9348
 Fax: (503) 285-9526
 Toll Free Fax: (877) 246-9526
 www.chaparralfixtures.com

Model MMIV - RS
 Phlebotomy Station

Date:
 7 - 6 - 15

Sheet
 1