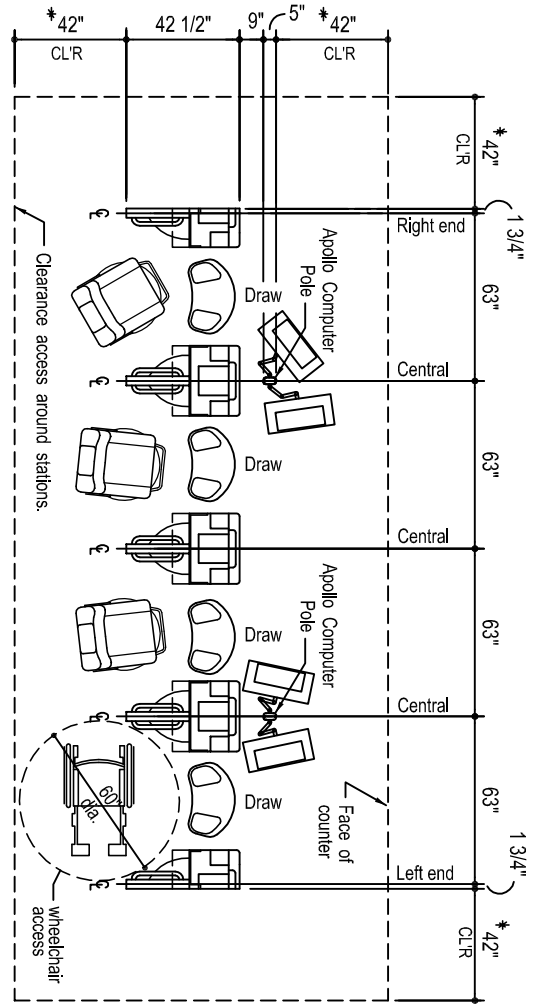
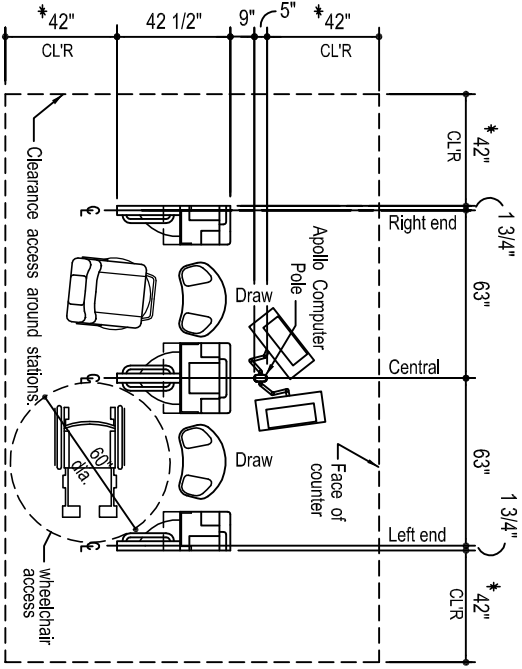


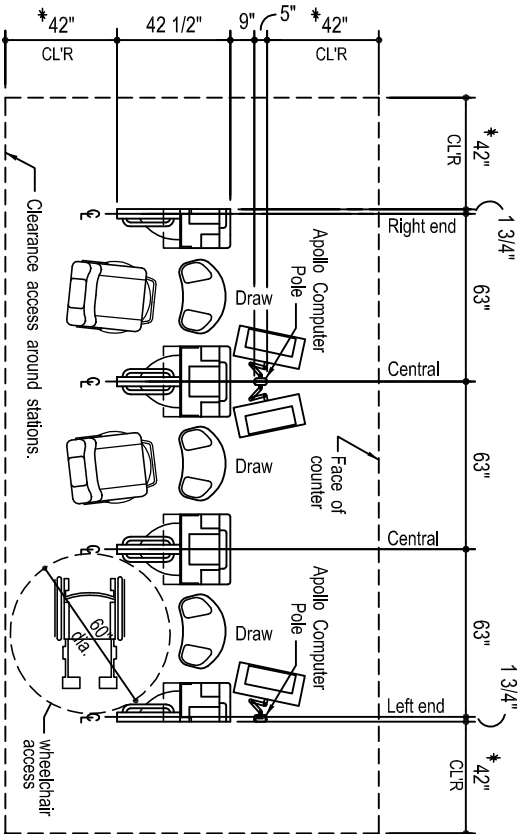
PHLEBOTOMY STATION LAYOUT
1 Station Layout



PHLEBOTOMY STATION LAYOUT
4 Station Layout



PHLEBOTOMY STATION LAYOUT
2 Station Layout



PHLEBOTOMY STATION LAYOUT
3 Station Layout

This drawing is the property of Chaparral 1 Inc. and is loaned subject to the condition that it is not to be copied, reproduced or distributed either whole or in part and is not to be used directly or indirectly excepting under the supervision of Chaparral 1 Inc. Nor may it be used in any way that is detrimental to the interests of Chaparral 1 Inc.

*42" recommended clearance for island or peninsula configuration.



CHAPARRAL

P.O. Box 11368
Portland, OR. 97211-0368
Toll Free Ph: (888) 246-9348
www.chaparralfixtures.com

Phlebotomy Station
+ Apollo Pole
Typical Layouts

Date: 5-15-18

Rev.

Rev.

Sht: 1